

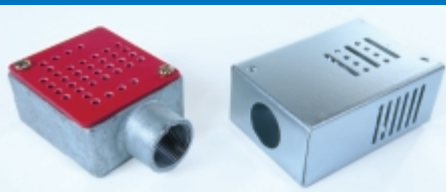


# Gas Solenoid Valves

# Gas Solenoid Valves



Normally Closed  
Class A EN161





Normally Closed  
Class A EN161

# GAS SOLENOID VALVES

# ACCESSORIES / OPTIONS

## Application

- \* Gas Solenoid Valves are used for safety and control of gas for shut-off in gas feed pipes
- \* Suitable for various gases, including Natural gas, Propane and LPG
- \* 1/4" Inlet and outlet plugs suitable for CPI switch, pressure gauge, connection to proving and interlock systems

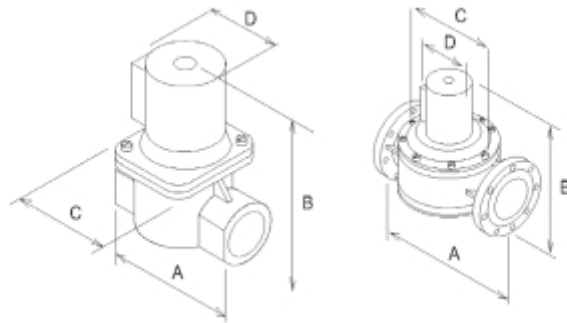
## Technical Data

Supply voltage 230Vac (+10%-15%)  
Coils to class F, 360° rotation  
Ambient temperature -15 to 60°C  
Coil temperature about 70°C  
According to European standards:  
90/396/EEC, 73/23/EEC, 89/336/EEC

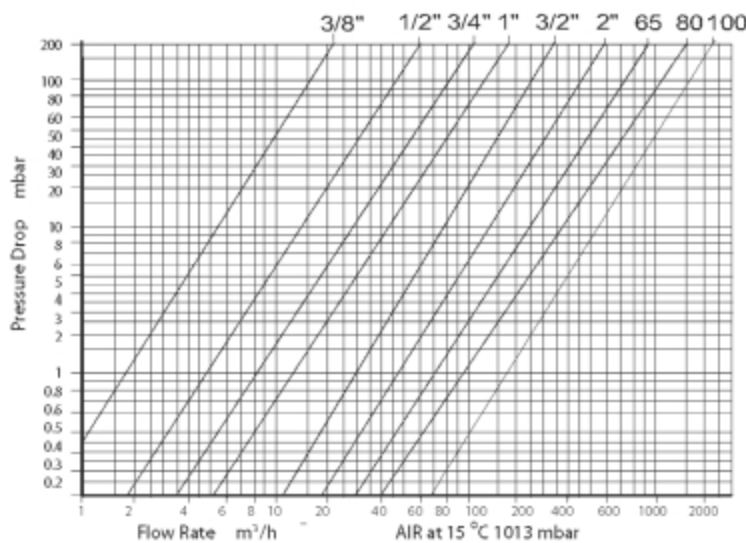
Open/Close <1 second  
Max 20 operations/minute  
Cable entry gland PG11  
Die cast aluminium body  
Incorporating steel mesh filter  
1/4" Inlet and outlet plugs



Type	Size	Connection	Max pressure mbar	Supply -15 to +10%	Power VA	Protection	Weight Kgs	Boxed qty
BZEV15	1/2"	BSP	350	230VAC	20	IP54	1.16	12
BZEV20	3/4"	BSP	200	230VAC	25	IP54	2.03	12
BZEV25	1"	BSP	200	230VAC	25	IP54	2.09	12
BZEV32	1 1/4"	BSP	200	230VAC	50	IP54	5	4
BZEV40	1 1/2"	BSP	200	230VAC	50	IP54	5.9	4
BZEV50	2"	BSP	200	230VAC	50	IP54	6.46	4
BZEV65	2 1/2"	BSP	200	230VAC	68	IP54	12.2	2
BZEV80	3"	BSP	200	230VAC	68	IP54	11.8	2
BZEVF65	65mm	PN16	200	230VAC	60	IP54	15.9	1
BZEVF80	80mm	PN16	200	230VAC	120	IP54	19	1
BZEVF100	100mm	PN16	200	230VAC	170	IP54	37	1



Type	A	B	C	D
BZEV15	72	112	52	85
BZEV20	86	156	70	96
BZEV25	100	156	75	96
BZEV32	150	214	110	118
BZEV40	150	214	110	118
BZEV50	170	220	135	123
BZEV65	220	290	170	145
BZEV80	220	290	170	145
BZEVF65	310	343	200	148
BZEVF80	310	343	200	148
BZEVF100	350	384	250	185



### EXAMPLE:

The chart indicates flow rates for AIR.  
For natural gas a correction factor of 1.24 is required.  
ie Natural gas flow rate = 50m³/h ΔP = 2.5mbar  
∴ 50 ÷ 1.24 = 40.3 m³/h  
On the chart, plot Flow 40.3 against ΔP 2.5mbar  
This establishes that a 1 1/2" valve is required

## Thermal Link

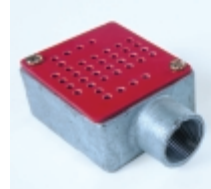
The electro fuseable thermal link is designed to use where is a potential fire hazard, such as in boiler or plant rooms

In the event of fire the temperature sensitive fuse will interrupt the power supply, activating alarms or shut down devices

The unit should be mounted so that the perforated cover faces downwards and the ventilation holes in the back/side of the box must not be obstructed

The link is electrically rated at 5 amps max on 200/250 VAC and melts at 68 deg C

### TL-1



### TL-2



## Emergency Stop Button

The emergency stop button is designed for manual shutdown of system or machines on the event of fire or other emergencies

Key reset version can be used to prevent any unauthorised restarting of machinery / system following an emergency shutdown

10 (6) Amps at 230 Vac Volt free contact

### EM-1K EM-1



## Closed Position Indication Switch

The closed position switch can be used on BZEV gas solenoid valves to indicate position of the valve

Operational voltage: 250Vac 3A

Enclosure: IP65

Ambient temperature : -15 to +60°C

### CPI...



## Manual Reset Gas Solenoid Valves

The gas solenoid valves are also available in manual reset version

From 1/4" to 2" BSP and

65, 80 and 100mm sizes PN16 flanged connection

### ZEVRM...



## 24 Vac Gas Solenoid Valves

The BZEV range of gas solenoid valves are also available in 24 Vac Please check price and availability

### BZEV...F

